

OCR10-M75201EN

# P R E F A C E

1. This parts catalog contains the previous information on the L100N5-GY, L100N5-GEY as well as the new one on the L100N5-GY2, L100N5-GEY2 for KOKUSAN.

Pub.No. : 0CR11-G75201

Published : April, 2012

2. Model name

Engine model	Vehicle	Vehicle made by
L100N5-GY L100N5-GEY L100N5-GY2 L100N5-GEY2	GENERATOR	KOKUSAN

## Directions for the Parts Catalog.

1. This Parts Catalog shows both standard and optional parts.
2. Parts may change without prior notice.
3. The following is an example of the Parts Catalog format.

REF.	LEV.	PARTS NO.	DESCRIPTION	Q'TY						I	R
				(A)	(B)	(C)	(D)	(E)	(F)		
1	1	729595-51390	FUEL INJECTION PUMP	1	1	1	1	1			1
1-1	1	729595-51391	FUEL INJECTION PUMP	1	1	1	1	1		N	1
		(A=E00185) (B=E00200)									
3	2	26022-060162	SCREW M 6X 16	9	9	9	9	9			
3-1	2	26022-060162	SCREW M 6X 16	4	4	4	4	4		K	
		(A=E00156) (B=E00156) (C=E00156) (D=E00156) (E=E00156)									
4	2	129470-51040	CAMSHAFT	1	1	1	1	1			
5	2	122710-51050	BEARING, ROLLER	2	2	2	2	2			
6	2	129470-51060	RETAINER	1	1	1	1	1			

Remarks
(1) BOOST COMPEMSATOR TYPE. OPTIONAL PART, TO E00155,(4JH-DT, 4JH-DTZ

### ① Ref. No.

The Ref. No. listed may not be in accordance with the illustration Ref. No.

(Ex.) Illustration No.

List Ref No.

1

1

(Before change)

1-1

(After change)

For interchangeable symbols N, R and K, illustrations for new parts may be abbreviated.

### ② Lev. (Level)

Level indication

The numbers below indicate the level of relativity towards the main part.

1 ----- Main parts (Assembly parts)

2 ----- Sub component included in " 1 ".

3 ----- Sub component included in " 2 ".

Note) Parts that are not for sale are partially illustrated but not listed.

### ③ Interchangeability Symbol

When a part change takes place, one of the following interchangeability symbols is indicated beside the part.

Symbol	Interchangeability	Contents note
N	Old $\begin{matrix} \leftarrow \text{Yes} \\ \text{No} \rightarrow \end{matrix}$ New	New Part is interchangeable for Old Part but Old Part is not interchangeable for New Part.
Q	Old $\begin{matrix} \leftarrow \text{No} \\ \text{Yes} \rightarrow \end{matrix}$ New	New Part is not interchangeable for Old Part but Old Part is interchangeable for New Part.
R	Old $\begin{matrix} \leftarrow \text{Yes} \\ \text{Yes} \rightarrow \end{matrix}$ New	New/ Old Parts are both interchangeable.
S	Old $\begin{matrix} \leftarrow \text{No} \\ \text{No} \rightarrow \end{matrix}$ New	New/ Old Parts are both not interchangeable.
W		Part newly added.
Z		Part discontinued.
F		Not interchangeable by a single part but interchangeable together with related parts.
K		Changes only for used parts quantities.

### ④ Effective Machine No.

When a part changes, the effective Machine No. will be indicated in the (A)-(F) column.

Product Symbol	Product No.	Product Symbol	Product No.
C	Clutch No. Compressor No.	F	Machine No. (Agricultural Equip.)
D	Drive No.	M	Machine No.
E	Engine No.		

Note 1) A date may follow the symbol. (Ex.) 1996.01

Note 2) "XXXXX" and "ZZZZZ" are for parts that could not be predicted or for engine models that could not be identified.

Note 3) (A=E00185) is the E (Engine Serial Number) for the column (A) model (in this case 4JH-DT) after the parts design change.

### ⑤ Remarks

Figures or alphabets (symbols) are entered in the remarks column.

The comments (remarks) on parts that are indicated at the bottom of the illustration are the same symbols as those stated above.

# Contents

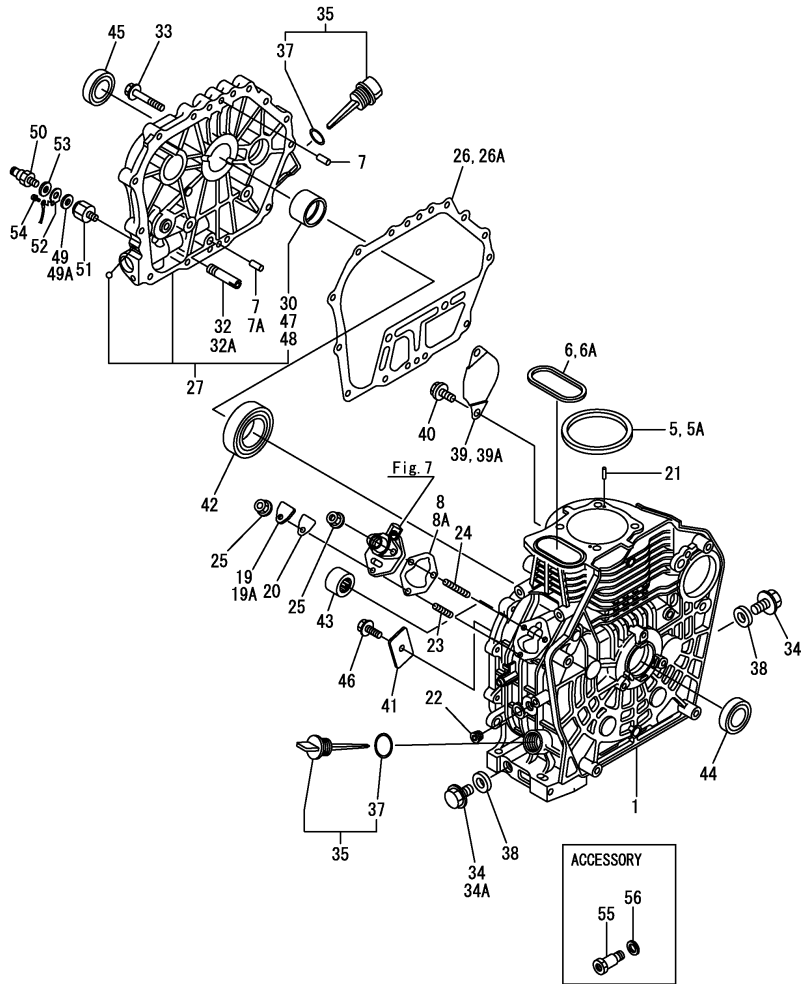
Fig. No.    Fig. Name

L100N5-GY/-GEY/-GY2/-GEY2

1. CYLINDER BLOCK
2. CYLINDER HEAD & BONNET
3. AIR CLEANER & MUFFLER
4. CRANKSHAFT, PISTON & CAMSHAFT
5. LUB.OIL PUMP & GOVERNOR
6. COOLING & STARTING DEVICE
7. F.I.PUMP & F.I.VALVE
8. STARTING MOTOR & DYNAMO
9. LABEL & GASKET SET(L100N5-GY/-GEY)
10. LABEL & GASKET SET(L100N5-GY2/-GEY2)

Fig. No.    Fig. Name

Fig.1. CYLINDER BLOCK



No.	Lev.	Parts No.	Description	Q'ty						I	R
				(A)	(B)	(C)	(D)	(E)	(F)		
1	1	114310-01020	BLOCK ASSY, CYLINDER	1	1	1	1				
1-1	1	11431C-01020	BLOCK ASSY, CYLINDER	1	1						R
(A=EZZZZZ) (B=EZZZZZ)											
5	1	114651-01340	GASKET, HEAD T=0.5	1	1						
5A	1	114695-01341	GASKET, HEAD 0.5			1	1				
6	1	114650-01380	O-RING	1	1						
6A	1	114699-01380	O-RING				1	1			
7	1	114270-01600	PIN, M8X12	2	2						
7A	1	114299-01600	PIN, 8X12			2	2				
8	1	114250-01800	SHIM SET	1	1						
8A	1	114299-01800	SHIM SET			1	1				
19	1	114250-01830	COVER	1	1						
19A	1	114299-01830	COVER			1	1				
20	1	114250-01841	GASKET	1	1	1	1				
21	1	22312-040080	PIN, PARALLEL M4X 8	2	2	2	2				
22	1	23875-020000	PLUG, R02	1	1	1	1				
23	1	26226-060182	STUD, M6X 18	1	1	1	1				
24	1	26226-060222	STUD, M6X 22	2	2	2	2				
25	1	26366-060002	NUT, M6	3	3	3	3				
26	1	114650-01412	GASKET	1	1						
26A	1	114699-01410	GASKET, CRANK CASE			1	1				
27	1	114310-01450	COVER(D, CRANK CASE	1	1	1	1				
27-1	1	11431C-01450	COVER, CRANK CASE	1	1						R
(A=EZZZZZ) (B=EZZZZZ)											
30	2	114650-02100	BEARING, MAIN	1	1	1	1				1
32	1	114250-35150	PIPE, OIL INLET	1	1						
32A	1	114299-35150	PIPE, OIL INLET			1	1				
33	1	26106-080352	BOLT, M8X 35 PLATED	16	16	16	16				
34	1	105425-01690	PLUG, 16	2	2						
34A	1	114299-01690	PLUG M16			2	2				
35	1	114699-01760	CAP ASSY	2	2	2	2				
37	2	114299-01950	O-RING, 18	2	2	2	2				
38	1	22190-160002	WASHER, SEAL 16	2	2	2	2				
39	1	114350-01700	COVER	1							
39A	1	114399-01700	COVER, STARTER			1					
40	1	26106-100122	BOLT, M10X 12 PLATED	2	2						
41	1	114299-02030	RETAINER, BEARING	1	1	1	1				
42	1	114650-02150	BEARING, HR6308G3C3	1	1	1	1				
43	1	24162-152220	BEARING, 152220	1	1	1	1				
44	1	24423-355008	SEAL, OIL TC355008	1	1	1	1				
45	1	24423-355008	SEAL, OIL TC355008	1	1	1	1				
46	1	26106-080122	BOLT, M8X 12 PLATED	1	1	1	1				
47	1	114650-02200	BEARING, 0.25 US	1	1	1	1				2
48	1	114650-02210	BEARING, 0.50 US	1	1	1	1				3
49	1	183366-08290	WASHER	1	1						
49A	1	114110-39290	WASHER, RUBBER			1	1				
50	1	183250-39450	SWITCH, 1.0KG	1	1	1	1				
51	1	183366-39460	JOINT	1	1	1	1				
52	1	171022-39470	TERMINAL, EARTH	1	1	1	1				
53	1	22117-100000	WASHER, 10	1	1	1	1				
54	1	26557-040082	SCREW, M4X 8	1	1	1	1				

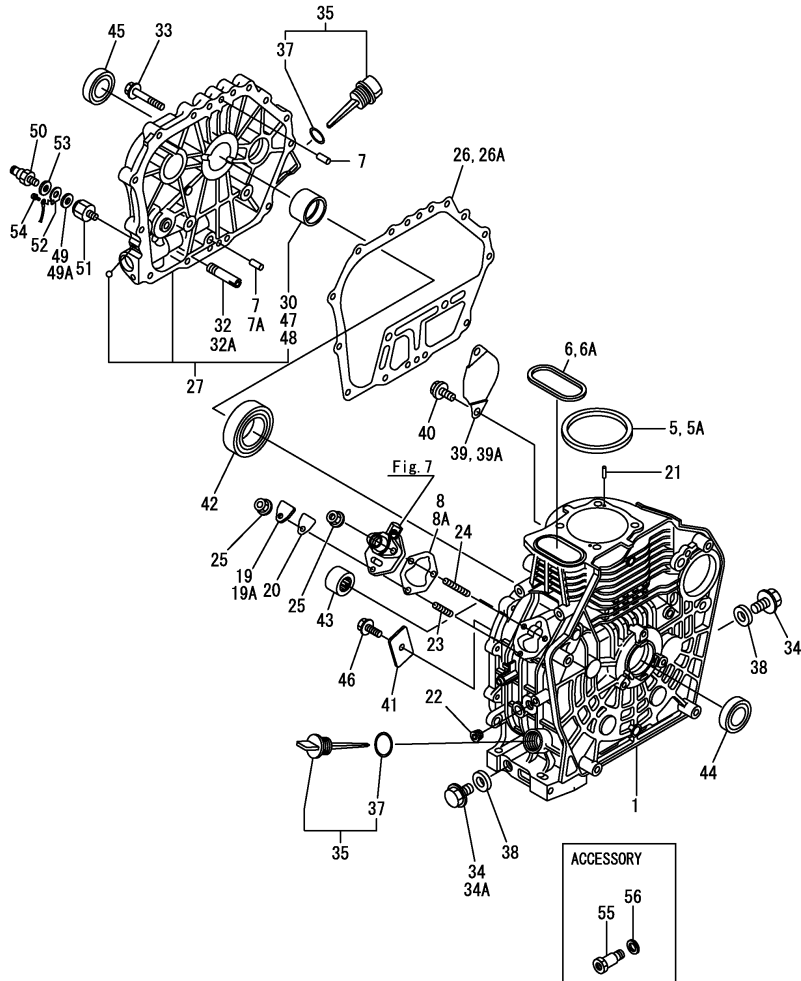
Remarks

- (1) Spare parts.
- (2) Under sized (U.S.=0.25) parts.
- (3) Under sized (U.S.=0.50) parts.

# Fig.1. CYLINDER BLOCK

(A)=L100N5-GY (D)=L100N5-GEY2  
(B)=L100N5-GEY (E)=  
(C)=L100N5-GY2 (F)=

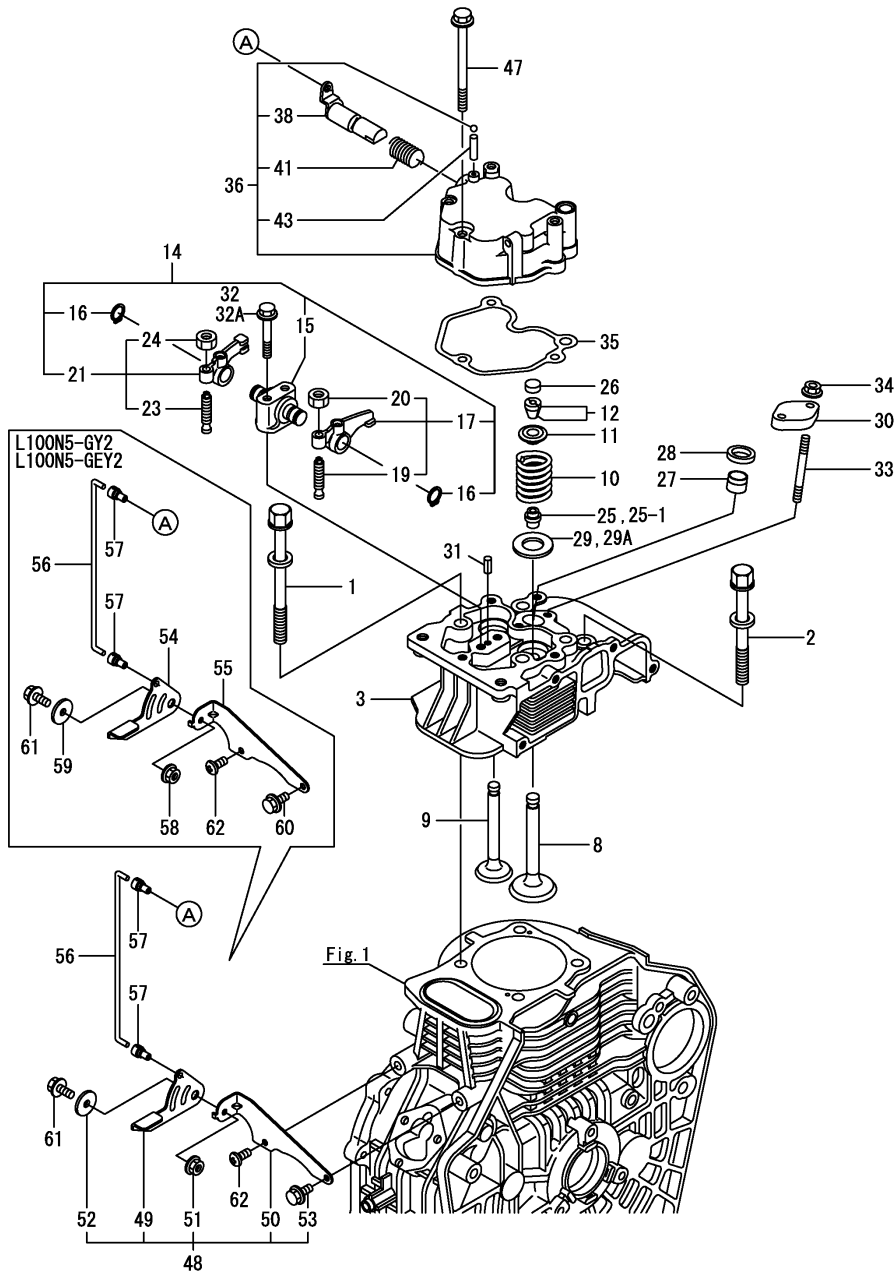
No.	Lev.	Parts No.	Description	Q'ty						I	R
				(A)	(B)	(C)	(D)	(E)	(F)		
55	1	183279-08350	NIPPLE, DRAIN	1	1	1	1				
56	1	22190-160002	WASHER, SEAL 16	1	1	1	1				



Remarks

- (1) Spare parts.
- (2) Under sized (U.S.=0.25) parts.
- (3) Under sized (U.S.=0.50) parts.

Fig.2. CYLINDER HEAD & BONNET



(A)=L100N5-GY  
(B)=L100N5-GEY  
(C)=L100N5-GY2

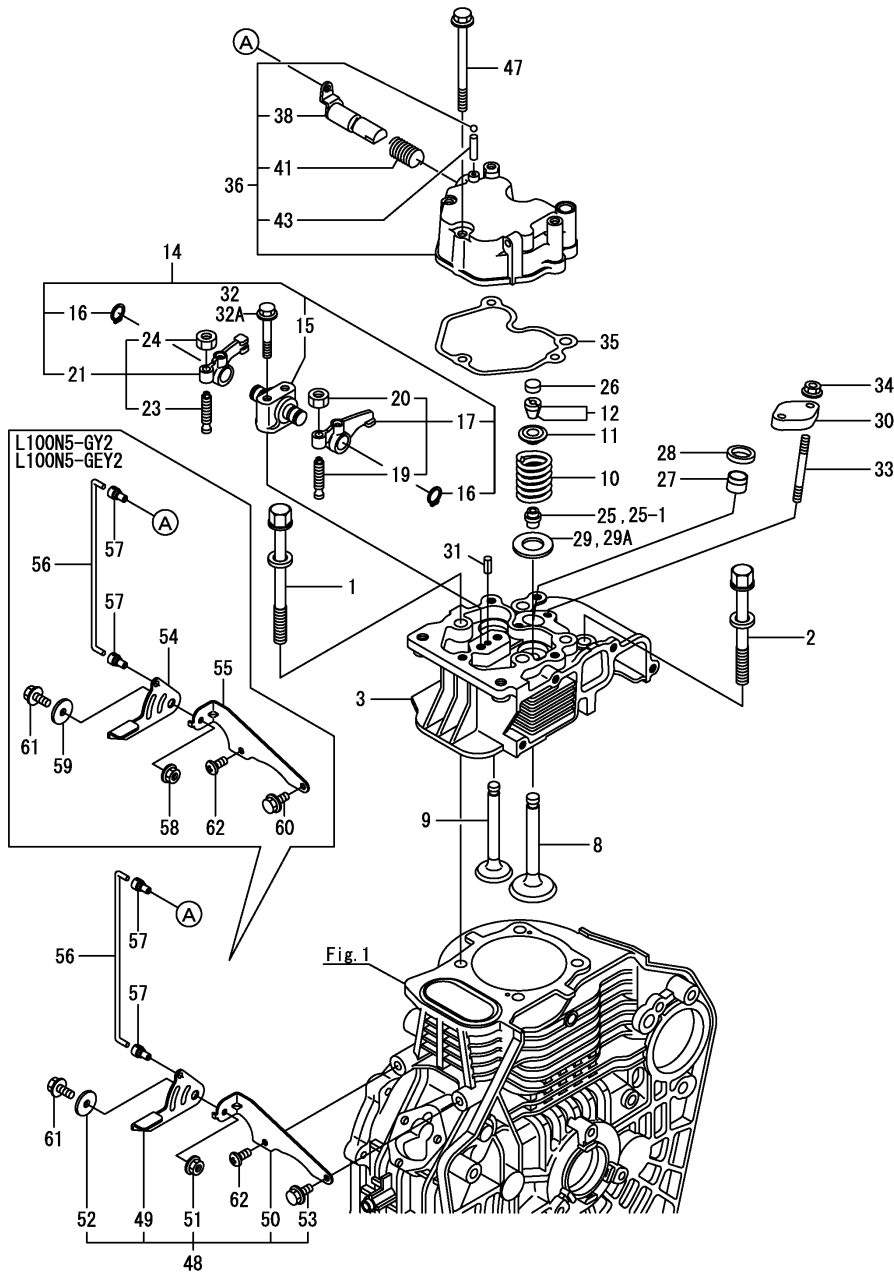
(D)=L100N5-GEY2  
(E)=  
(F)=

No.	Lev.	Parts No.	Description	Qty						I	R
				(A)	(B)	(C)	(D)	(E)	(F)		
1	1	114310-01200	BOLT, CYL.HEAD A	2	2	2	2				
2	1	114310-01210	BOLT, CYL.HEAD B	2	2	2	2				
3	1	114320-11020	HEAD ASSY, CYLINDER	1	1						R
3-1	1	11432C-11020	HEAD ASSY, CYLINDER	1	1	1	1				
		(A=EZZZZZ) (B=EZZZZZ)									
8	1	114310-11100	VALVE, INTAKE	1	1						
8-1	1	11431C-11100	VALVE, INTAKE	1	1	1	1				R
		(A=E03916) (B=E03483)									
9	1	114310-11110	VALVE, EXHAUST	1	1						
9-1	1	11431C-11110	VALVE, EXHAUST	1	1	1	1				R
		(A=E03916) (B=E03483)									
10	1	114310-11120	SPRING, VALVE	2	2	2	2				
11	1	114310-11180	RETAINER, SPRING	2	2	2	2				
12	1	114310-11930	COTTER ASSY	2	2						
14	1	114310-11250	SUPPORT ASSY, ROCKER	1	1						
14-1	1	11431C-11250	SUPPORT ASSY, ARM	1	1	1	1				R
		(A=E03916) (B=E03483)									
15	2	114310-11260	SUPPORT, ROCKER ARM	1	1						
15-1	2	11431C-11260	SUPPORT, ROCKER ARM	1	1	1	1				R
		(A=E03916) (B=E03483)									
16	2	114310-11280	C TYPE RETAINING RIN	2	2						
16-1	2	22243-000150	RING, 15	2	2						R
		(A=E03916) (B=E03483)									
16-2	2	22242-000150	RING, 15	2	2	2	2				R
		(A=E08248) (B=E08262)									
17	2	114310-11650	ARM ASSY, INTAKE	1	1						
17-1	2	11431C-11650	ARM, ROCKER	1	1	1	1				R
		(A=E03916) (B=E03483)									
19	3	114299-11240	SCREW, ADJUSTING	1	1						
19-1	3	114250-11240	SCREW, VALVE ADJUST	1	1	1	1				R
		(A=E03916) (B=E03483)									
20	3	26856-060002	NUT, M6	1	1	1	1				
21	2	114310-11660	ARM ASSY, EXHAUST	1	1						
21-1	2	11431C-11660	ARM, ROCKER	1	1	1	1				R
		(A=E03916) (B=E03483)									
23	3	114299-11240	SCREW, ADJUSTING	1	1						
23-1	3	114250-11240	SCREW, VALVE ADJUST	1	1	1	1				R
		(A=E03916) (B=E03483)									
24	3	26856-060002	NUT, M6	1	1	1	1				
25	1	114650-11340	SEAL, VALVE STEM	2	2						
25-1	1	114650-11341	SEAL, VALVE STEM	2	2	2	2				N
		(A=EZZZZZ) (B=EZZZZZ)									
26	1	104211-11370	CAP, VALVE	2	2	2	2				
27	1	114339-11451	PROTECTOR, NOZZLE	1	1	1	1				
28	1	114339-11551	SEAT, NOZZLE	1	1	1	1				
29	1	114650-11600	WASHER	2	2						
29A	1	114699-11600	WASHER			2	2				
30	1	114210-11901	RETAINER, NOZZLE	1	1	1	1				
31	1	22351-040008	PIN, SPRING 4.0X 8	1	1	1	1				
32	1	26106-080502	BOLT, M8X 50 PLATED	2	2						
32A	1	114310-11290	BOLT, SUPPORT			2	2				

Fig.2. CYLINDER HEAD & BONNET

(A)=L100N5-GY  
(B)=L100N5-GEY  
(C)=L100N5-GY2

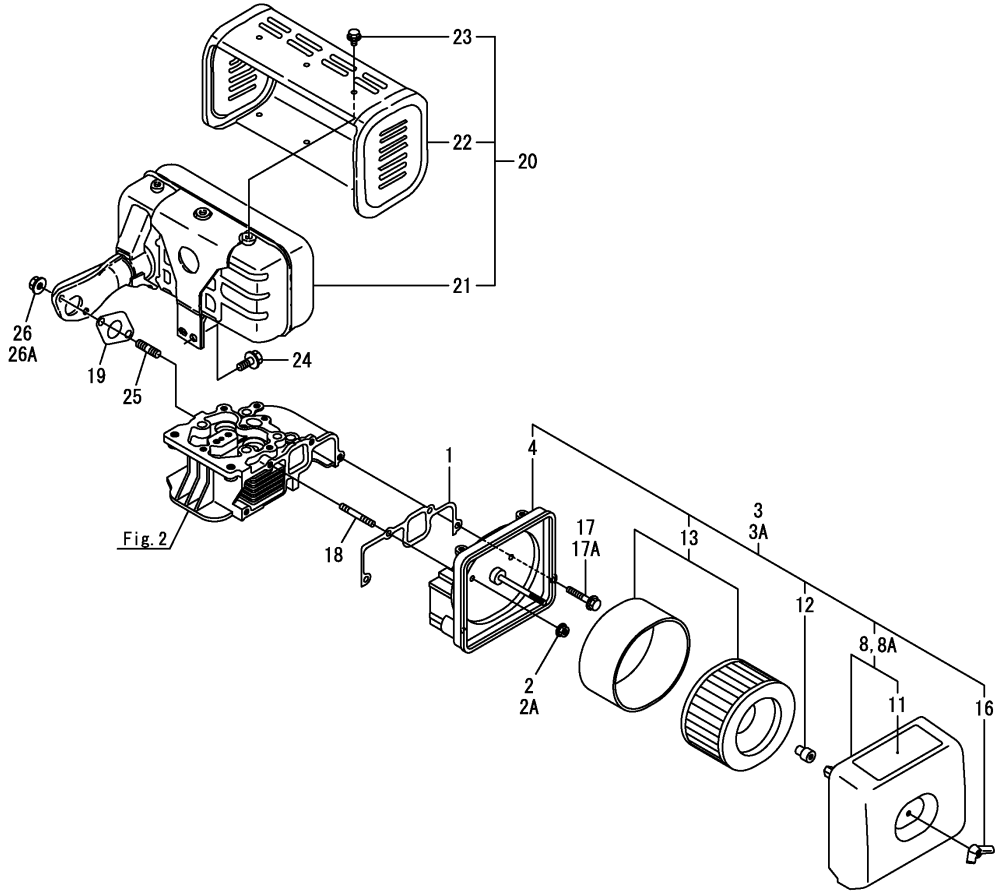
(D)=L100N5-GEY2  
(E)=  
(F)=



No.	Lev.	Parts No.	Description	Q'ty						I	R
				(A)	(B)	(C)	(D)	(E)	(F)		
33	1	26226-060552	STUD, M6X 55	2	2	2	2				
34	1	26366-060002	NUT, M6	2	2	2	2				
35	1	114310-11310	GASKET, BONNET	1	1	1	1				
36	1	114310-11960	BONNET ASSY, HEAD	1	1	1	1				
36-1	1	11431C-11960	BONNET ASSY, HEAD	1	1						R
		(A=EZZZZZ) (B=EZZZZZ)									
38	2	114210-03580	DECOMPRESSION ASSY	1	1	1	1				
41	2	114299-03640	SPRING, DECOMPRESSION	1	1	1	1				
41-1	2	114250-03640	SPRING, DECOMPRESSION	1	1						R
		(A=EZZZZZ) (B=EZZZZZ)									
43	2	22312-030160	PIN, PARALLEL M3X16	1	1	1	1				
47	1	26106-060652	BOLT, M6X 65 PLATED	3	3	3	3				
48	1	114239-03400	LEVER ASSY	1	1						
49	2	183250-03410	LEVER, DECOMPRESSION	1	1						
50	2	114210-03450	BRACKET, LEVER	1	1						
51	2	114250-12300	NUT	1	1						
52	2	160670-66350	COLLAR	1	1						
53	2	26106-060142	BOLT, M6X 14 PLATED	1	1						
54	1	183250-03410	LEVER, DECOMPRESSION					1	1		
55	1	114210-03450	BRACKET, LEVER					1	1		
56	1	183650-03510	LINK	1	1	1	1				
57	1	183250-03550	JOINT	2	2	2	2				
58	1	114299-12300	NUT					1	1		
59	1	160670-66350	COLLAR					1	1		
60	1	26106-060142	BOLT, M6X 14 PLATED					1	1		
61	1	26106-060142	BOLT, M6X 14 PLATED	1	1	1	1				
62	1	26557-060142	SCREW M 6X 14	1	1	1	1				



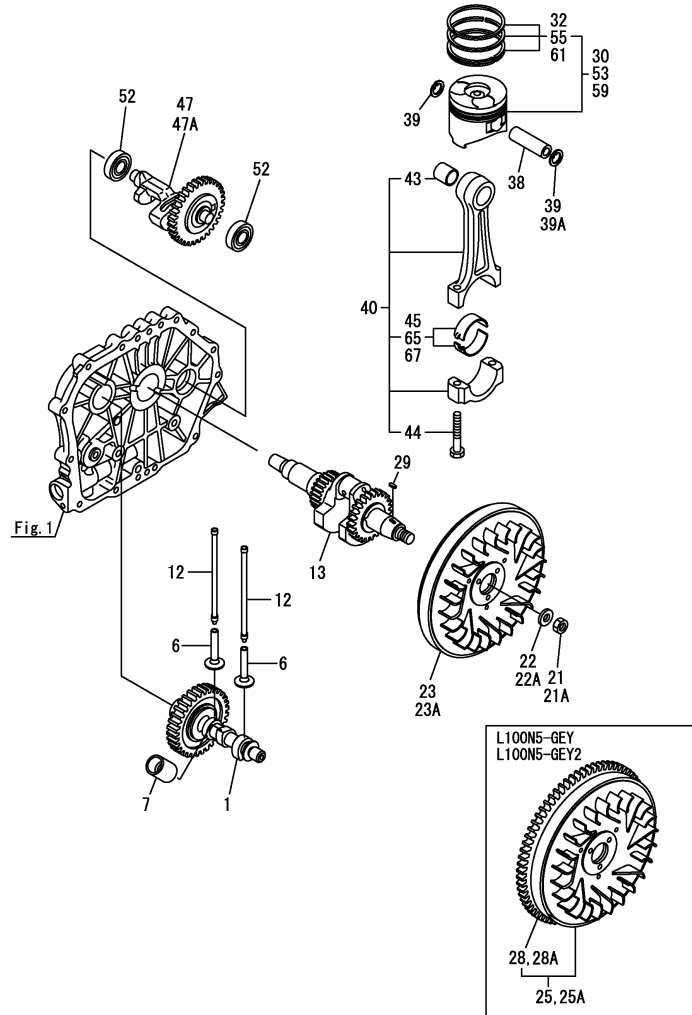
Fig.3. AIR CLEANER & MUFFLER



(A)=L100N5-GY (D)=L100N5-GEY2  
 (B)=L100N5-GEY (E)=  
 (C)=L100N5-GY2 (F)=

No.	Lev.	Parts No.	Description	Q'ty						I	R
				(A)	(B)	(C)	(D)	(E)	(F)		
1	1	114310-12210	GASKET, AIR CLEANER	1	1	1	1				
2	1	114250-12300	NUT	3	3						
2A	1	114299-12300	NUT			3	3				
3	1	114310-12511	CLEANER ASSY, AIR	1	1						
3A	1	114320-12550	CLEANER ASSY, AIR			1	1				
4	2	114310-12010	BODY ASSY, AIR CLNR	1	1	1	1				
8	2	114210-12500	COVER ASSY, AIR CLNR	1	1						
8A	2	114220-12500	COVER ASSY, AIR CLNR			1	1				
11	3	114210-12610	LABEL, AIR CLEANER	1	1						
12	2	114210-12560	NUT, WING	1	1	1	1				
13	2	114210-12590	ELEMENT ASSY	1	1	1	1				
16	2	114210-12600	LOCKING KNOB	1	1	1	1				
17	1	26106-060352	BOLT, M6X 35 PLATED	1	1						
17A	1	26106-060402	BOLT, M6X 40 PLATED			1	1				
18	1	26226-060352	STUD, M6X 35	3	3	3	3				
19	1	114310-13200	GASKET, MUFFLER	1	1	1	1				
20	1	114339-13500	MUFFLER ASSY	1	1	1	1				
21	2	114339-13560	MUFFLER	1	1	1	1				
22	2	114339-13700	COVER	1	1	1	1				
23	2	26106-060082	BOLT, M6X 8 PLATED	6	6	6	6				
24	1	26106-080202	BOLT, M8X 20 PLATED	2	2	2	2				
25	1	26216-080182	STUD, M8X 18	2	2	2	2				
26	1	26306-080002	NUT, M8	2	2						
26A	1	26366-080002	NUT, M8			2	2				

Fig.4. CRANKSHAFT, PISTON & CAMSHAFT



(A)=L100N5-GY  
(B)=L100N5-GEY  
(C)=L100N5-GY2

(D)=L100N5-GEY2  
(E)=  
(F)=

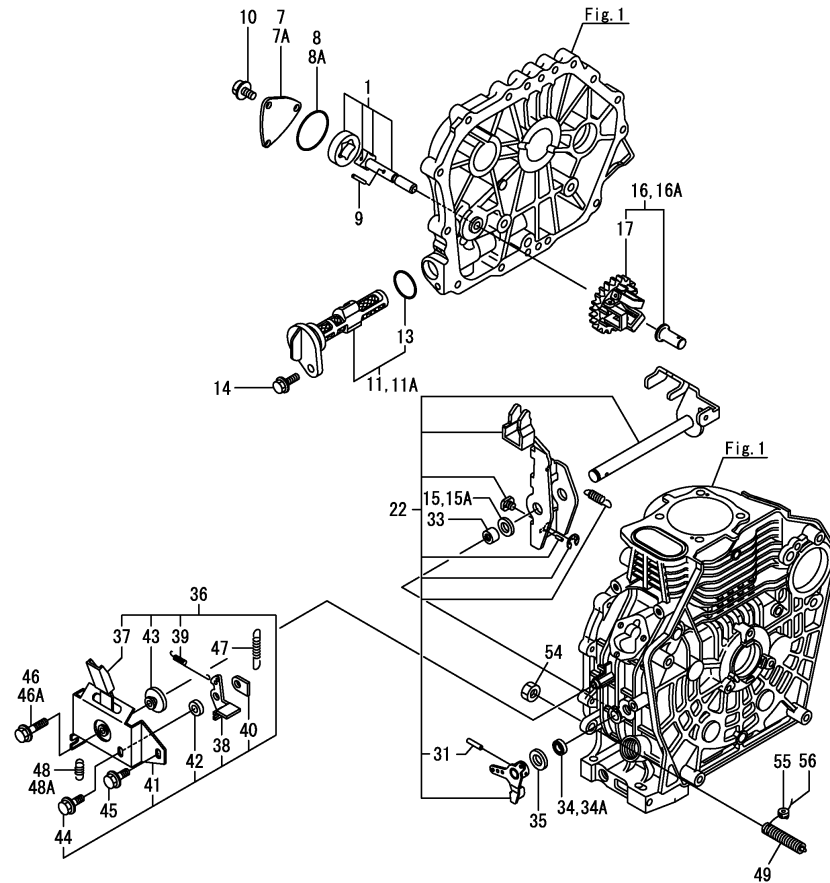
No.	Lev.	Parts No.	Description	Q'ty						I	R
				(A)	(B)	(C)	(D)	(E)	(F)		
1	1	71432C-14010	CAMSHAFT ASSY	1	1	1	1				
6	1	114310-14200	TAPPET	2	2	2	2				
7	1	114210-14300	TAPPET ASSY, ROLLER	1	1	1	1				
12	1	114310-14400	ROD ASSY, PUSH	2	2	2	2				
13	1	71431C-21020	CRANKSHAFT ASSY	1	1						
13-1	1	114310-21720	CRANKSHAFT ASSY,DG	1	1	1	1				R
(A=EZZZZZ) (B=EZZZZZ)											
21	1	122710-01220	NUT, CYLINDER HEAD	1	1						
21A	1	114699-21220	NUT			1	1				
22	1	114650-21551	WASHER	1	1						
22A	1	114699-21550	WASHER			1	1				
23	1	11431C-21420	FLYWHEEL	1							
23A	1	114699-21420	FLYWHEEL			1					
25	1	11431C-21590	FLYWHEEL ASSY		1						
25A	1	114699-21600	FLYWHEEL ASSY, DE					1			
28	2	11431C-21600	GEAR, RING		1						
28A	2	114699-21630	RING, GEAR						1		
29	1	22512-050140	KEY, 5X 14	1	1	1	1				
30	1	714320-22720	PISTON W/RINGS (D)	1	1	1	1				
32	2	714310-22500	RING SET, PISTON	1	1	1	1				
38	1	114699-22300	PIN, PISTON D=23	1	1	1	1				
39	1	129792-22400	CIRCLIP, 23	2	2						
39A	1	114310-22500	SEEGER RING, J23			2	2				
40	1	71431C-23010	ROD ASSY, CONNECTING	1	1	1	1				
43	3	124060-23100	BEARING, PISTON PIN	1	1	1	1				
44	3	119810-23200	BOLT, CONNECTING ROD	2	2						
44-1	3	114310-23200	BOLT, CONNECTING ROD	2	2	2	2				R
(A=EZZZZZ) (B=EZZZZZ)											
45	2	714650-23600	BEARING, CRANK PIN	1	1	1	1				
47	1	71431C-28510	SHAFT ASSY, BALANCER	1	1						
47A	1	714310-28510	SHAFT ASSY, BALANCER			1	1				
52	1	24101-063040	BEARING, BALL 6304C3	2	2	2	2				
53	1	714320-22620	PISTON W/RING .25OS	1	1	1	1				1
55	2	714310-22540	RING SET O.S.=0.25	1	1	1	1				1
59	1	714320-22580	PISTON W/RING .50OS	1	1	1	1				2
61	2	714310-22550	RING SET O.S.=0.50	1	1	1	1				2
65	1	714650-23610	BEARING ASSY, 0.25	1	1	1	1				3
67	1	714650-23620	BEARING, 0.50 US	1	1	1	1				4

Remarks

- (1)Over sized(O.S.=0.25)parts.
- (2)Over sized(O.S.=0.50)parts.
- (3)Under sized(U.S.=0.25)parts.
- (4)Under sized(U.S.=0.50)parts.

Fig.5. LUB.OIL PUMP & GOVERNOR

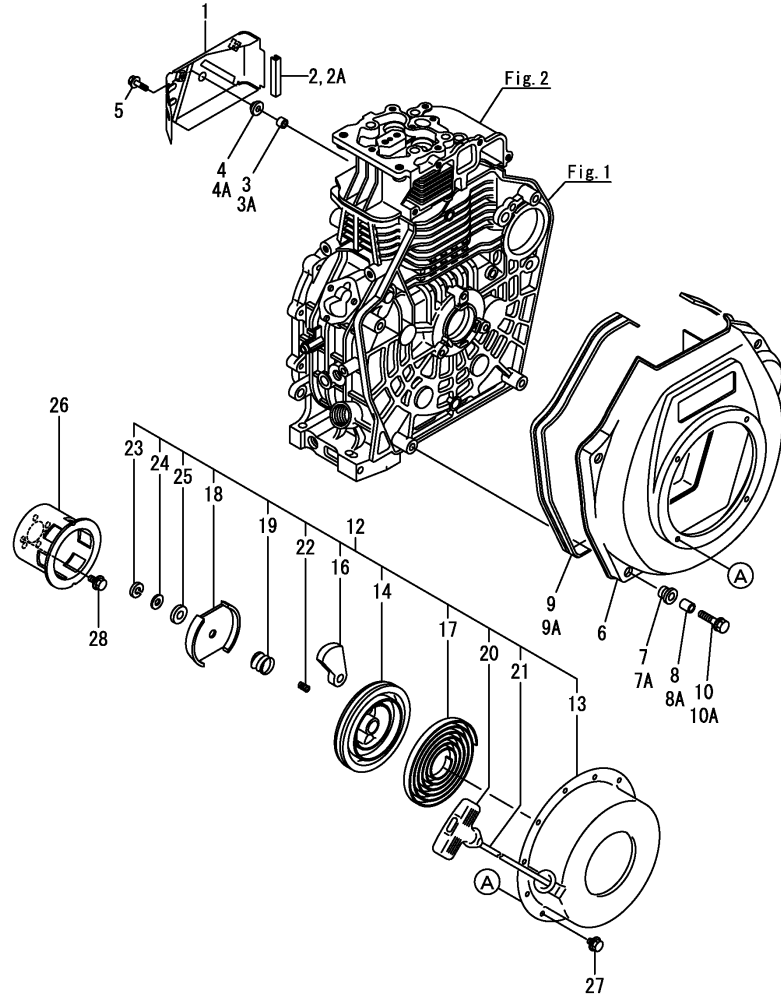
(A)=L100N5-GY  
 (B)=L100N5-GEY  
 (C)=L100N5-GY2  
 (D)=L100N5-GEY2  
 (E)=  
 (F)=



No.	Lev.	Parts No.	Description	Qty						I	R
				(A)	(B)	(C)	(D)	(E)	(F)		
1	1	114650-32010	PUMP ASSY, OIL	1	1	1	1				
7	1	114250-32070	COVER	1	1						
7A	1	114299-32070	COVER			1	1				
8	1	103338-32570	O-RING	1	1						
8A	1	114299-32570	O-RING			1	1				
9	1	22312-030160	PIN, PARALLEL M3X16	1	1	1	1				
10	1	26106-060122	BOLT, M6X 12 PLATED	3	3	3	3				
11	1	114250-35110	FILTER ASSY, OIL	1	1						
11A	1	114299-35110	FILTER ASSY, OIL			1	1				
13	2	24341-000224	O-RING, 1AS22.4	1	1	1	1				
14	1	26106-060162	BOLT, M6X 16 PLATED	1	1	1	1				
15	1	114770-61190	WASHER	1	1						
15A	1	114299-61190	WASHER			1	1				
16	1	714210-61700	GOVERNOR ASSY	1	1						
16-1	1	114239-61700	GOVERNOR ASSY	1	1						R
		(A=E08927)	(B=E09134)								
16A	1	714210-61701	GOVERNOR ASSY			1	1				
17	2	114210-61290	WEIGHT ASSY,GOVERNOR	1	1	1	1				
22	1	114311-61500	LEVER ASSY, GOVERNOR	1	1	1	1				1
31	2	22322-030200	PIN, TAPER 3X20	1	1	1	1				
33	1	114770-61520	BEARING, NEEDLE	2	2	2	2				
34	1	114770-61600	SEAL, OIL	1	1						
34A	1	114299-61600	SEAL, OIL			1	1				
35	1	114770-61610	WASHER, THRUST	1	1	1	1				
36	1	114210-66510	BRACKET, REGULATOR	1	1						
36-1	1	114210-66511	BRACKET CMP,REGULATO	1	1	1	1				N
		(A=E06060)	(B=E05744)								
37	2	114210-66300	HANDLE	1	1	1	1				
38	2	183250-66321	LEVER, LOCK	1	1	1	1				
39	2	183250-66331	SPRING	1	1						
39-1	2	114210-66330	SPRING,LOCK LEVER	1	1	1	1				N
		(A=E06060)	(B=E05744)								
40	2	183250-66341	NUT, LOCK	1	1	1	1				
41	2	114210-66350	BRACKET	1	1	1	1				
42	2	183250-66361	COLLAR	1	1	1	1				
43	2	183250-66371	COLLAR	1	1	1	1				
44	2	26106-060162	BOLT, M6X 16 PLATED	1	1	1	1				
45	1	26106-060142	BOLT, M6X 14 PLATED	1	1	1	1				
46	1	26106-060252	BOLT, M6X 25 PLATED	1	1						
46A	1	26106-060202	BOLT, M6X 20 PLATED			1	1				
47	1	114320-66020	SPRING, REGULATOR	1	1						
47-1	1	114320-66030	SPRING, REGULATOR	1	1	1	1				N
		(A=*2009.11)	(B=*2009.11)								
48	1	114250-66200	SPRING, RETURN	1	1						
48A	1	114299-66200	SPRING, RETURN			1	1				
49	1	114211-66600	LIMITER ASSY, FUEL	1	1	1	1				
54	1	26776-100002	NUT, LOCK M10	1	1	1	1				
55	1	114780-61090	TIN	1	1	1	1				
56	1	22451-060000	WIRE, 0.6	1	1	1	1				

Remarks  
 (1)On a guarantee of quality component parts shall not be sold.

Fig.6. COOLING & STARTING DEVICE



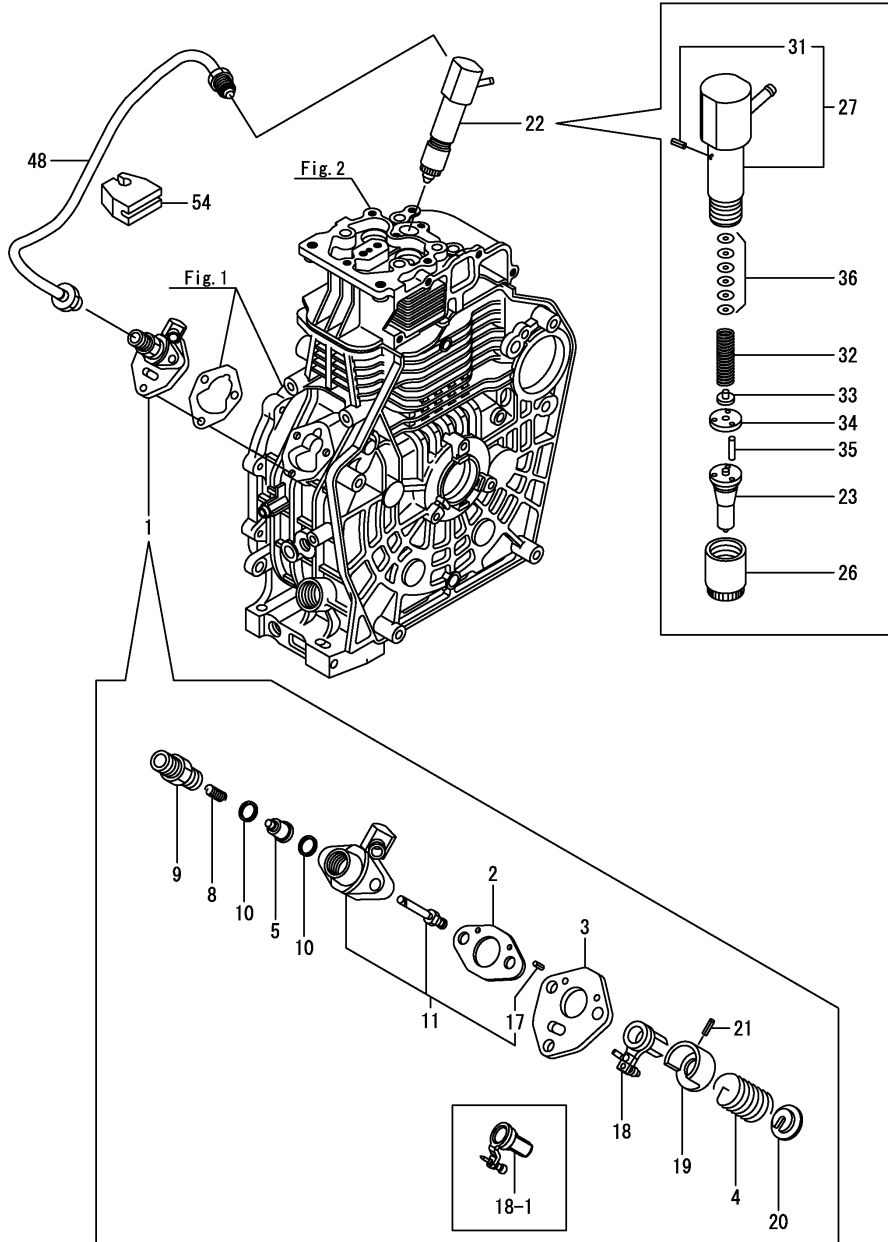
(A)=L100N5-GY  
 (B)=L100N5-GEY  
 (C)=L100N5-GY2  
 (D)=L100N5-GEY2  
 (E)=  
 (F)=

No.	Lev.	Parts No.	Description	Q'ty						I	R
				(A)	(B)	(C)	(D)	(E)	(F)		
1	1	11431C-45260	COVER	1	1						
1-1	1	114310-45260	COVER B, SIDE	1	1	1	1				R
		(A=EZZZZZ) (B=EZZZZZ)									
2	1	114350-45320	RUBBER, SEAL	1	1						
2A	1	114399-45320	RUBBER, SEAL			1	1				
3	1	114350-45340	COLLAR	1	1						
3A	1	114399-45340	COLLAR			1	1				
4	1	183720-55210	GROMMET	1	1						
4A	1	114299-45220	GROMMET			1	1				
5	1	26106-060202	BOLT, M6X 20 PLATED	1	1	1	1				
6	1	11431C-45100	CASE, COOLING FAN	1	1						
6-1	1	114310-45150	CASE, COOLING FAN	1	1	1	1				R
		(A=EZZZZZ) (B=EZZZZZ)									
7	1	114250-45301	ABSORBER	4	4						
7A	1	114299-45301	RUBBER, CUSHION			4	4				
8	1	114250-45310	COLLAR	4	4						
8A	1	114299-45310	COLLAR			4	4				
9	1	114650-45330	SEAL, FAN CASE L=950	1	1						
9A	1	114699-45331	SEAL, FAN CASE			1	1				
10	1	114370-45351	BOLT	4	4						
10A	1	114299-45350	BOLT, FAN CASE			4	4				
12	1	114699-76251	RECOIL ASSY	1	1	1	1				
13	2	114699-76510	CASE, STARTER	1	1	1	1				
14	2	114699-76521	REEL, RECOIL	1	1	1	1				
16	2	114699-76531	RATCHET	2	2	2	2				
17	2	114399-76540	SPRING, SPIRAL	1	1	1	1				
18	2	114699-76551	GUIDE, RATCHET	1	1	1	1				
19	2	114699-76560	SPRING, FRICTION	1	1	1	1				
20	2	114399-76620	KNOB, STARTER	1	1	1	1				
21	2	114699-76630	ROPE, STARTER	1	1	1	1				
22	2	114699-76650	SPRING, RETURN	1	1	1	1				
23	2	114699-76660	CIRCLIP	1	1	1	1				
24	2	114699-76670	WASHER	1	1	1	1				
25	2	114699-76680	WASHER	1	1	1	1				
26	1	114699-76592	PULLEY, STARTER	1	1	1	1				
27	1	26106-060082	BOLT, M6X 8 PLATED	4	4	4	4				
28	1	26106-060122	BOLT, M6X 12 PLATED	3	3	3	3				

Fig.7. F.I.PUMP & F.I.VALVE

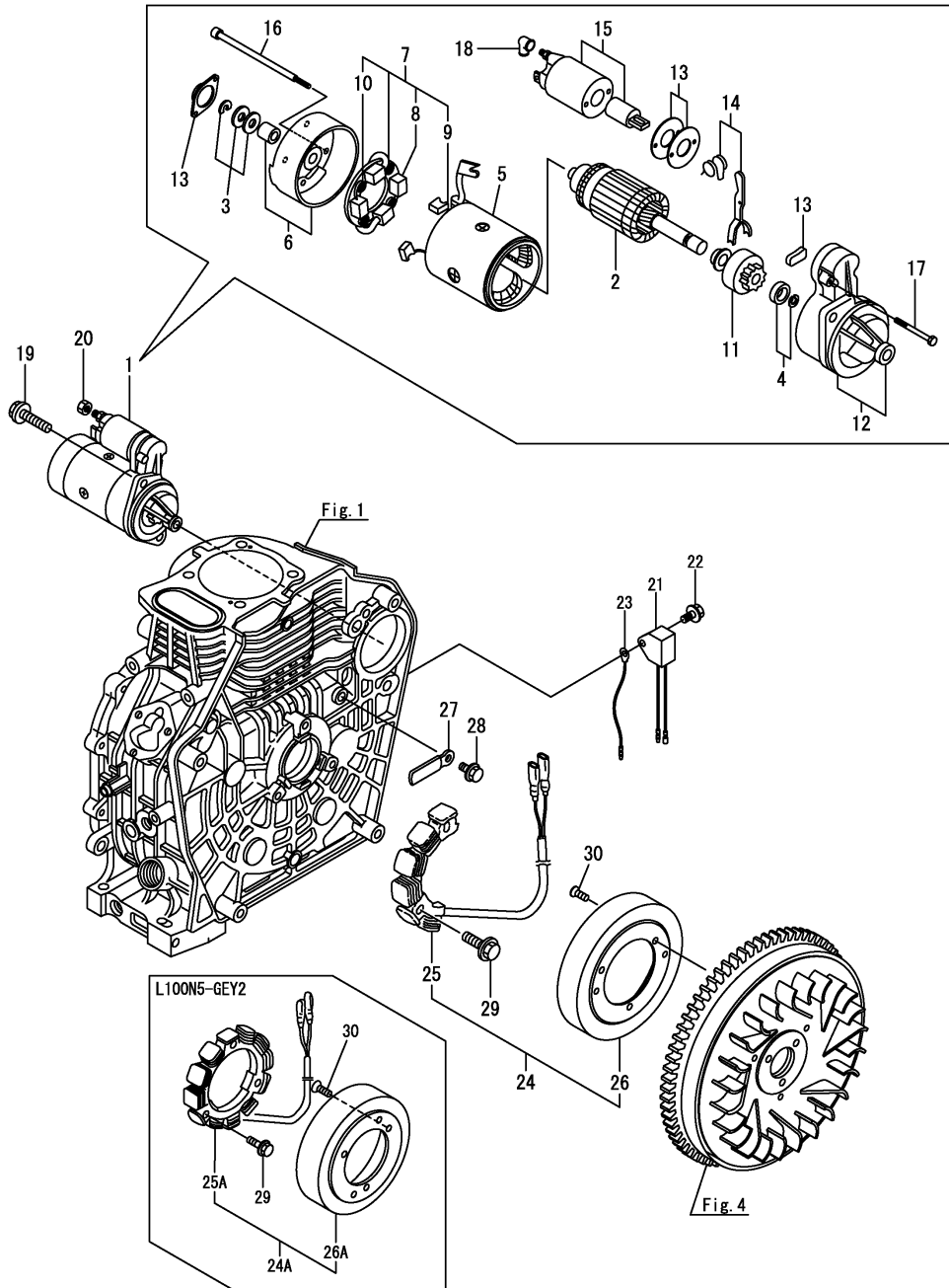
(A)=L100N5-GY  
(B)=L100N5-GEY  
(C)=L100N5-GY2

(D)=L100N5-GEY2  
(E)=  
(F)=



No.	Lev.	Parts No.	Description	Q'ty						I	R
				(A)	(B)	(C)	(D)	(E)	(F)		
1	1	714339-51430	PUMP ASSY, INJECTION	1	1	1	1				
2	2	105546-51020	GASKET	1	1	1	1				
3	2	114250-51080	PLATE	1	1	1	1				
4	2	114250-51160	SPRING, PLUNGER	1	1	1	1				
5	2	114650-51300	VALVE ASSY, DELIVERY	1	1	1	1				
8	2	105546-51330	SPRING, DELIVERY	1	1	1	1				
9	2	114250-51340	HOLDER, DELIVERY	1	1	1	1				
10	2	124550-51350	GASKET, DELIVERY	2	2	2	2				
11	2	114339-51500	BODY ASSY, PUMP	1	1	1	1				
17	4	22351-020006	PIN, SPRING 2.0X 6	2	2	2	2				
18	2	114250-51600	LEVER ASSY, CONTROL	1	1						
18-1	2	114250-51500	LEVER,CONTROL	1	1	1	1				R
(A=EZZZZZ) (B=EZZZZZ)											
19	2	114250-51640	SEAT, SPRING A	1	1	1	1				
20	2	114250-51650	SEAT, SPRING B	1	1	1	1				
21	2	22351-030008	PIN, SPRING 3.0X 8	1	1	1	1				
22	1	714339-53100	VALVE ASSY,INJECTION	1	1	1	1				
23	2	114339-53050	VALVE ASSY,INJECTION	1	1	1	1				
26	2	114250-53080	NUT, NOZZLE D16.95	1	1	1	1				
27	2	114339-53100	HOLDER ASSY, NOZZLE	1	1	1	1				
31	3	22351-025005	PIN, SPRING 2.5X 6	1	1	1	1				
32	2	114250-53120	SPRING, NOZZLE	1	1	1	1				
33	2	114250-53130	SEAT, SPRING	1	1	1	1				
34	2	114250-53140	PLATE	1	1	1	1				
35	2	114250-53210	PIN	2	2	2	2				
36	2	114250-53400	SHIM SET	1	1	1	1				
48	1	114310-59820	PIPE ASSY, INJECTION	1	1	1	1				
54	1	114699-59850	SUPPORT, PIPE	1	1	1	1				

Fig.8. STARTING MOTOR & DYNAMO



(A)=L100N5-GY  
(B)=L100N5-GEY  
(C)=L100N5-GY2

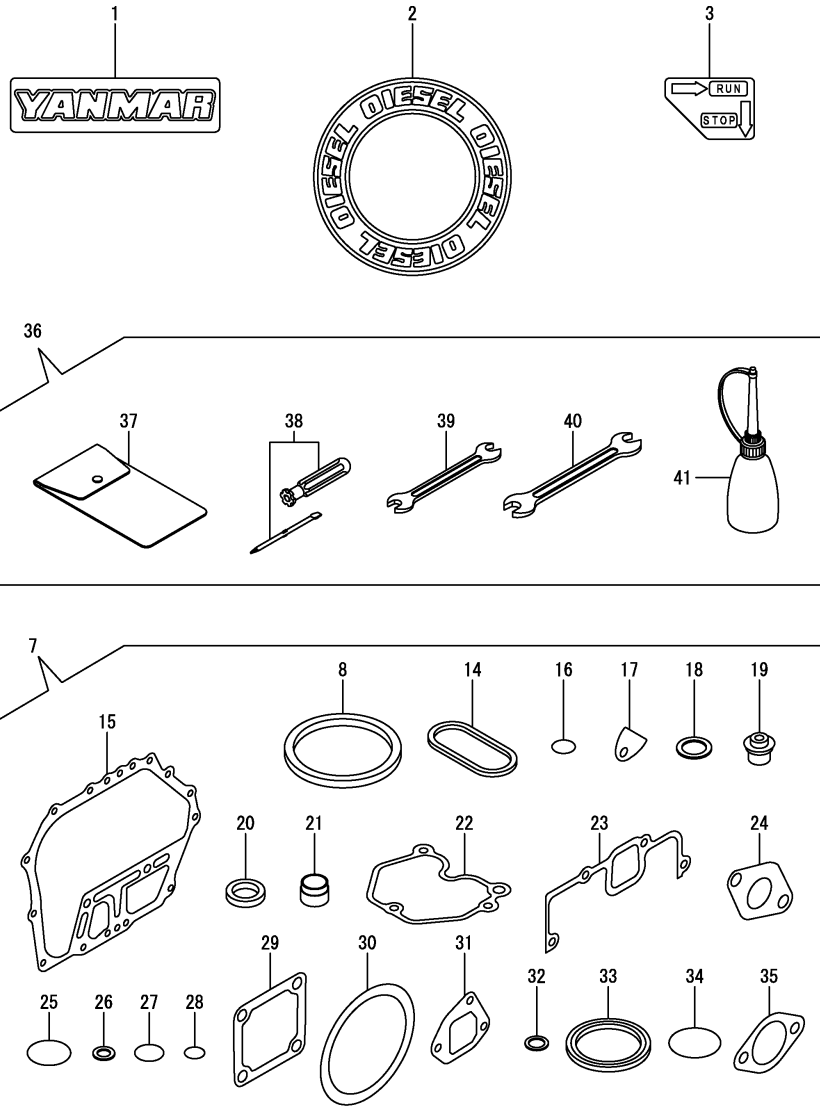
(D)=L100N5-GEY2  
(E)=  
(F)=

No.	Lev.	Parts No.	Description	Qty						I	R
				(A)	(B)	(C)	(D)	(E)	(F)		
1	1	114362-77011	STARTER	1			1				
2	2	114381-77110	ARMATURE		1		1				
3	2	X2114811000	WASHER KIT, THRUST		1		1				
4	2	X2114715500	STOPPER SET		1		1				
5	2	114381-77130	COIL ASSY, FIELD		1		1				
6	2	114381-77140	COVER		1		1				
7	2	114371-77160	HOLDER ASSY, BRUSH		1		1				
8	3	114371-79040	BRUSH		2		2				
9	3	114371-79050	BRUSH		1		1				
10	3	114371-79060	SPRING		4		4				
11	2	X211485016	PINION ASSY		1		1				
12	2	114381-77151	CASE ASSY		1		1				
13	2	114371-77170	COVER ASSY, DUST		1		1				
14	2	114371-77180	LEVER KIT, SHIFT		1		1				
15	2	124298-77020	SWITCH, MAGNETIC		1		1				
16	2	124195-77770	BOLT, THROUGH		2		2				
17	2	114371-79070	BOLT		2		2				
18	2	X2114274200	COVER		1		1				
19	1	26106-100302	BOLT, M10X 30 PLATED		2		2				
20	1	26716-080002	NUT, M8		1		1				
21	1	160970-77350	RECTIFIER, ZR2117		1		1				
22	1	26106-060122	BOLT, M6X 12 PLATED		1		1				
23	1	183350-77400	WIRE, LEAD		1		1				
24	1	114351-78251	DYNAMO ASSY		1						
24A	1	114399-78270	DINAMO ASSY, 1A							1	
25	2	114351-78751	STATOR ASSY		1						
25A	2	114399-78750	STATOR ASSY 1A							1	
26	2	114351-78761	WHEEL, DYNAMO		1						
26A	2	114399-78760	WHEEL, DYNAMO 1A							1	
27	1	160710-78710	CLAMP, CORD		1		1				
28	1	26106-060122	BOLT, M6X 12 PLATED		1		1				
29	1	26106-060202	BOLT, M6X 20 PLATED		3		2				
30	1	26577-060142	SCREW M 6X 14		3		3				

Fig.9. LABEL & GASKET SET(L100N5-GY/-GEY)

(A)=L100N5-GY  
(B)=L100N5-GEY  
(C)=L100N5-GY2

(D)=L100N5-GEY2  
(E)=  
(F)=



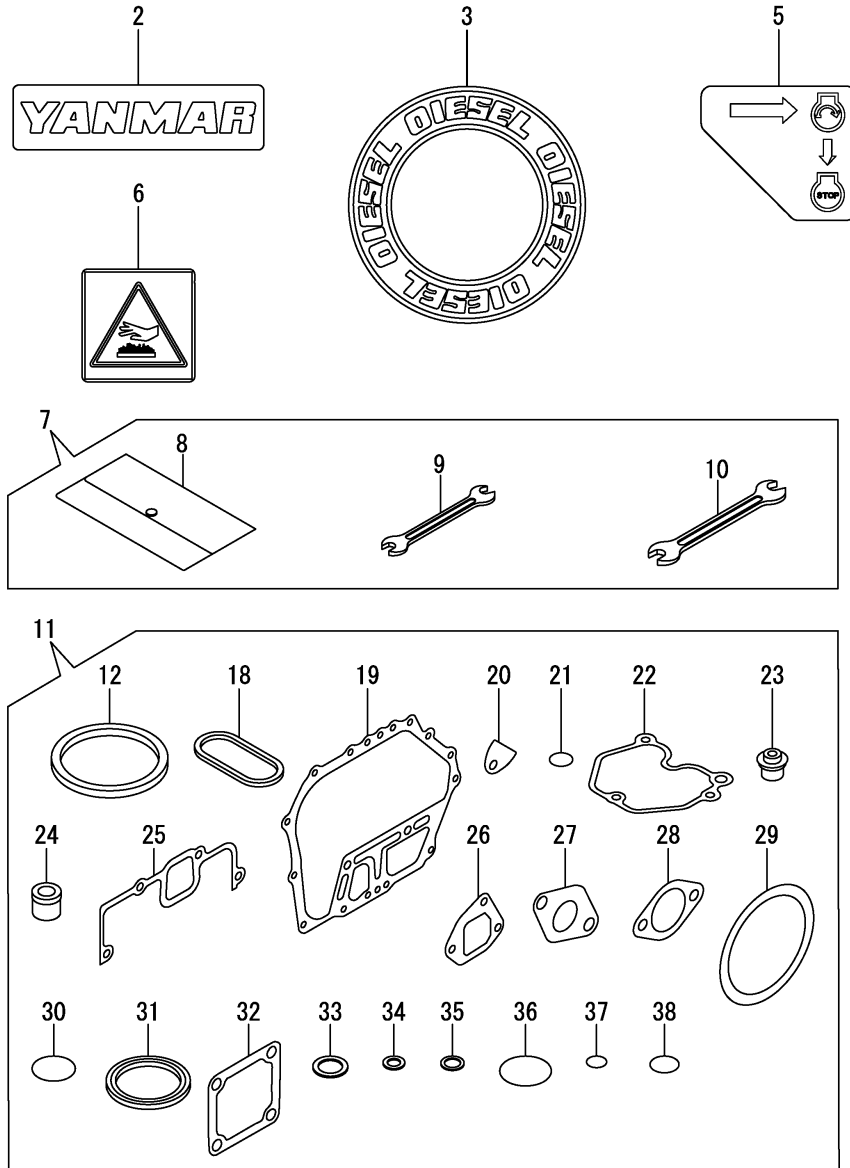
No.	Lev.	Parts No.	Description	Q'ty						I	R
				(A)	(B)	(C)	(D)	(E)	(F)		
1	1	114250-07111	LABEL, YANMAR	1	1						
2	1	114261-07350	LABEL, DIESEL	1	1						
3	1	183250-07480	LABEL, RUN-STOP	1	1						
7	1	114339-92600	GASKET SET	1	1						1
8	2	114651-01330	GASKET SET, HEAD	1	1						
14	2	114650-01380	O-RING	1	1						
15	2	114650-01412	GASKET	1	1						
16	2	114299-01950	O-RING, 18	2	2						
17	2	114250-01841	GASKET	1	1						
18	2	22190-160002	WASHER, SEAL 16	2	2						
19	2	114650-11340	SEAL, VALVE STEM	2	2						
20	2	114339-11551	SEAT, NOZZLE	1	1						
21	2	114339-11451	PROTECTOR, NOZZLE	1	1						
22	2	114310-11310	GASKET, BONNET	1	1						
23	2	114310-12210	GASKET, AIR CLEANER	1	1						
24	2	114310-13200	GASKET, MUFFLER	1	1						
25	2	103338-32570	O-RING	1	1						
26	2	23414-080000	GASKET, 8X1.0	1	1						
27	2	24341-000224	O-RING, 1AS22.4	1	1						
28	2	24341-000150	O-RING, 1AS15.0	2	2						
29	2	129100-77510	GASKET	3	3						
30	2	114399-21980	GASKET	1	1						
31	2	114650-12211	GASKET, AIR CLEANER	2	2						
32	2	23414-120000	GASKET, 12X1.0	1	1						
33	2	160393-55050	GASKET	4	4						
34	2	24311-000400	O-RING, 1AP40.0	1	1						
35	2	183671-13211	GASKET, PIPE	1	1						
36	1	714250-92100	BOX ASSY, TOOL	1	1						
37	2	114250-92600	BAG, TOOL	1	1						
38	2	160330-92730	DRIVE, SCREW	1	1						
39	2	28110-100120	SPANNER, 10X12	1	1						
40	2	28110-140170	SPANNER, 14X17	1	1						
41	2	28210-000150	OILER	1	1						

Remarks  
(1)Optional parts.

Fig.10. LABEL & GASKET SET(L100N5-GY2/-GEY2)

(A)=L100N5-GY  
(B)=L100N5-GEY  
(C)=L100N5-GY2

(D)=L100N5-GEY2  
(E)=  
(F)=



No.	Lev.	Parts No.	Description	Qty						I	R
				(A)	(B)	(C)	(D)	(E)	(F)		
2	1	114299-07111	LABEL, YANMAR MARK B			1	1				
3	1	114299-07160	LABEL, DIESEL			1	1				
5	1	114220-07150	LABEL, CONSTANT SPEE			1	1				
6	1	114220-07130	LABEL, HOT SURFACE			1	1				
7	1	114299-92590	BOX, TOOL			1	1				
8	2	114299-92600	BAG, TOOL			1	1				
9	2	114299-92710	WRENCH			1	1				
10	2	114299-92720	WRENCH			1	1				
11	1	114320-92600	GASKET SET			1	1				1
12	2	114695-01331	GASKET, HEAD			1	1				
18	2	114699-01380	O-RING			1	1				
19	2	114699-01410	GASKET, CRANK CASE			1	1				
20	2	114250-01841	GASKET			1	1				
21	2	114299-01950	O-RING, 18			2	2				
22	2	114310-11310	GASKET, BONNET			1	1				
23	2	114650-11341	SEAL, VALVE STEM			2	2				
24	2	114771-11461	GASKET, NOZZLE			1	1				
25	2	114310-12210	GASKET, AIR CLEANER			1	1				
26	2	114699-12210	GASKET, AIR CLEANER			2	2				
27	2	114310-13200	GASKET, MUFFLER			1	1				
28	2	183671-13211	GASKET, PIPE			1	1				
29	2	114399-21980	GASKET			1	1				
30	2	114299-32570	O-RING			1	1				
31	2	160393-55050	GASKET			4	4				
32	2	129100-77510	GASKET			3	3				
33	2	22190-160002	WASHER, SEAL 16			2	2				
34	2	23414-080000	GASKET, 8X1.0			1	1				
35	2	23414-120000	GASKET, 12X1.0			1	1				
36	2	24311-000400	O-RING, 1AP40.0			1	1				
37	2	24341-000150	O-RING, 1AS15.0			2	2				
38	2	24341-000224	O-RING, 1AS22.4			1	1				

Remarks  
(1)Optional parts.



## Parts No. Index

Parts No.	Fig. No.	Ref. No.
103338-32570	5	8
	9	25
104211-11370	2	26
105425-01690	1	34
105546-51020	7	2
105546-51330	7	8
114110-39290	1	49 A
114210-03450	2	50
		55
114210-03580	2	38
114210-11901	2	30
114210-12500	3	8
114210-12560	3	12
114210-12590	3	13
114210-12600	3	16
114210-12610	3	11
114210-14300	4	7
114210-61290	5	17
114210-66300	5	37
114210-66330	5	39 -1
114210-66350	5	41
114210-66510	5	36
114210-66511	5	36 -1
114211-66600	5	49
114220-07130	10	6
114220-07150	10	5
114220-12500	3	8 A
114239-03400	2	48
114239-61700	5	16 -1
114250-01800	1	8
114250-01830	1	19
114250-01841	1	20
	9	17
	10	20
114250-03640	2	41 -1
114250-07111	9	1
114250-11240	2	19 -1
		23 -1
114250-12300	2	51
	3	2
114250-32070	5	7
114250-35110	5	11
114250-35150	1	32
114250-45301	6	7
114250-45310	6	8
114250-51080	7	3
114250-51160	7	4
114250-51340	7	9
114250-51500	7	18 -1
114250-51600	7	18

Parts No.	Fig. No.	Ref. No.
114250-51640	7	19
114250-51650	7	20
114250-53080	7	26
114250-53120	7	32
114250-53130	7	33
114250-53140	7	34
114250-53210	7	35
114250-53400	7	36
114250-66200	5	48
114250-92600	9	37
114261-07350	9	2
114270-01600	1	7
114299-01600	1	7 A
114299-01690	1	34 A
114299-01800	1	8 A
114299-01830	1	19 A
114299-01950	1	37
	9	16
	10	21
114299-02030	1	41
114299-03640	2	41
114299-07111	10	2
114299-07160	10	3
114299-11240	2	19
		23
114299-12300	2	58
	3	2 A
114299-32070	5	7 A
114299-32570	5	8 A
	10	30
114299-35110	5	11 A
114299-35150	1	32 A
114299-45220	6	4 A
114299-45301	6	7 A
114299-45310	6	8 A
114299-45350	6	10 A
114299-61190	5	15 A
114299-61600	5	34 A
114299-66200	5	48 A
114299-92590	10	7
114299-92600	10	8
114299-92710	10	9
114299-92720	10	10
114310-01020	1	1
114310-01200	2	1
114310-01210	2	2
114310-01450	1	27
114310-11100	2	8
114310-11110	2	9
114310-11120	2	10

Parts No.	Fig. No.	Ref. No.
114310-11180	2	11
114310-11250	2	14
114310-11260	2	15
114310-11280	2	16
114310-11290	2	32 A
114310-11310	2	35
	9	22
	10	22
114310-11650	2	17
114310-11660	2	21
114310-11930	2	12
114310-11960	2	36
114310-12010	3	4
114310-12210	3	1
	9	23
	10	25
114310-12511	3	3
114310-13200	3	19
	9	24
	10	27
114310-14200	4	6
114310-14400	4	12
114310-21720	4	13 -1
114310-22500	4	39 A
114310-23200	4	44 -1
114310-45150	6	6 -1
114310-45260	6	1 -1
114310-59820	7	48
114311-61500	5	22
11431C-01020	1	1 -1
11431C-01450	1	27 -1
11431C-11100	2	8 -1
11431C-11110	2	9 -1
11431C-11250	2	14 -1
11431C-11260	2	15 -1
11431C-11650	2	17 -1
11431C-11660	2	21 -1
11431C-11960	2	36 -1
11431C-21420	4	23
11431C-21590	4	25
11431C-21600	4	28
11431C-45100	6	6
11431C-45260	6	1
114320-11020	2	3
114320-12550	3	3 A
114320-66020	5	47
114320-66030	5	47 -1
114320-92600	10	11
11432C-11020	2	3 -1
114339-11451	2	27

Parts No.	Fig. No.	Ref. No.
114339-11451	9	21
114339-11551	2	28
	9	20
114339-13500	3	20
114339-13560	3	21
114339-13700	3	22
114339-51500	7	11
114339-53050	7	23
114339-53100	7	27
114339-92600	9	7
114350-01700	1	39
114350-45320	6	2
114350-45340	6	3
114351-78251	8	24
114351-78751	8	25
114351-78761	8	26
114362-77011	8	1
114370-45351	6	10
114371-77160	8	7
114371-77170	8	13
114371-77180	8	14
114371-79040	8	8
114371-79050	8	9
114371-79060	8	10
114371-79070	8	17
114381-77110	8	2
114381-77130	8	5
114381-77140	8	6
114381-77151	8	12
114399-01700	1	39 A
114399-21980	9	30
	10	29
114399-45320	6	2 A
114399-45340	6	3 A
114399-76540	6	17
114399-76620	6	20
114399-78270	8	24 A
114399-78750	8	25 A
114399-78760	8	26 A
114650-01380	1	6
	9	14
114650-01412	1	26
	9	15
114650-02100	1	30
114650-02150	1	42
114650-02200	1	47
114650-02210	1	48
114650-11340	2	25
	9	19
114650-11341	2	25 -1

## Parts No. Index

Parts No.	Fig. No.	Ref. No.
114650-11341	10	23
114650-11600	2	29
114650-12211	9	31
114650-21551	4	22
114650-32010	5	1
114650-45330	6	9
114650-51300	7	5
114651-01330	9	8
114651-01340	1	5
114695-01331	10	12
114695-01341	1	5 A
114699-01380	1	6 A
	10	18
114699-01410	1	26 A
	10	19
114699-01760	1	35
114699-11600	2	29 A
114699-12210	10	26
114699-21220	4	21 A
114699-21420	4	23 A
114699-21550	4	22 A
114699-21600	4	25 A
114699-21630	4	28 A
114699-22300	4	38
114699-45331	6	9 A
114699-59850	7	54
114699-76251	6	12
114699-76510	6	13
114699-76521	6	14
114699-76531	6	16
114699-76551	6	18
114699-76560	6	19
114699-76592	6	26
114699-76630	6	21
114699-76650	6	22
114699-76660	6	23
114699-76670	6	24
114699-76680	6	25
114770-61190	5	15
114770-61520	5	33
114770-61600	5	34
114770-61610	5	35
114771-11461	10	24
114780-61090	5	55
119810-23200	4	44
122710-01220	4	21
124060-23100	4	43
124195-77770	8	16
124298-77020	8	15
124550-51350	7	10

Parts No.	Fig. No.	Ref. No.
129100-77510	9	29
	10	32
129792-22400	4	39
160330-92730	9	38
160393-55050	9	33
	10	31
160670-66350	2	52
		59
160710-78710	8	27
160970-77350	8	21
171022-39470	1	52
183250-03410	2	49
		54
183250-03550	2	57
183250-07480	9	3
183250-39450	1	50
183250-66321	5	38
183250-66331	5	39
183250-66341	5	40
183250-66361	5	42
183250-66371	5	43
183279-08350	1	55
183350-77400	8	23
183366-08290	1	49
183366-39460	1	51
183650-03510	2	56
183671-13211	9	35
	10	28
183720-55210	6	4
22117-100000	1	53
22190-160002	1	38
		56
	9	18
	10	33
22242-000150	2	16 -2
22243-000150	2	16 -1
22312-030160	2	43
	5	9
22312-040080	1	21
22322-030200	5	31
22351-020006	7	17
22351-025005	7	31
22351-030008	7	21
22351-040008	2	31
22451-060000	5	56
22512-050140	4	29
23414-080000	9	26
	10	34
23414-120000	9	32
	10	35

Parts No.	Fig. No.	Ref. No.
23875-020000	1	22
24101-063040	4	52
24162-152220	1	43
24311-000400	9	34
	10	36
24341-000150	9	28
	10	37
24341-000224	5	13
	9	27
	10	38
24423-355008	1	44
		45
26106-060082	3	23
	6	27
26106-060122	5	10
	6	28
	8	22
		28
26106-060142	2	53
		60
		61
	5	45
26106-060162	5	14
		44
26106-060202	5	46 A
	6	5
	8	29
26106-060252	5	46
26106-060352	3	17
26106-060402	3	17 A
26106-060652	2	47
26106-080122	1	46
26106-080202	3	24
26106-080352	1	33
26106-080502	2	32
26106-100122	1	40
26106-100302	8	19
26216-080182	3	25
26226-060182	1	23
26226-060222	1	24
26226-060352	3	18
26226-060552	2	33
26306-080002	3	26
26366-060002	1	25
	2	34
26366-080002	3	26 A
26557-040082	1	54
26557-060142	2	62
26577-060142	8	30
26716-080002	8	20

Parts No.	Fig. No.	Ref. No.
26776-100002	5	54
26856-060002	2	20
		24
28110-100120	9	39
28110-140170	9	40
28210-000150	9	41
714210-61700	5	16
714210-61701	5	16 A
714250-92100	9	36
714310-22500	4	32
714310-22540	4	55
714310-22550	4	61
714310-28510	4	47 A
71431C-21020	4	13
71431C-23010	4	40
71431C-28510	4	47
714320-22580	4	59
714320-22620	4	53
714320-22720	4	30
71432C-14010	4	1
714339-51430	7	1
714339-53100	7	22
714650-23600	4	45
714650-23610	4	65
714650-23620	4	67
X2114274200	8	18
X2114715500	8	4
X2114811000	8	3
X211485016	8	11